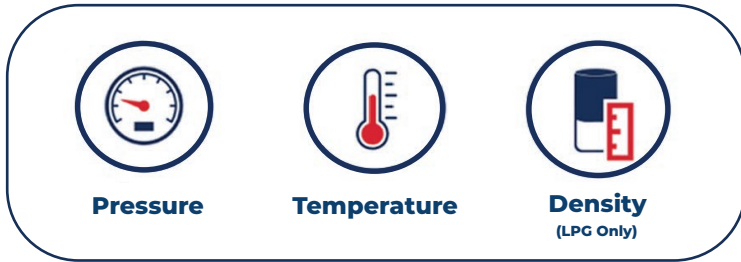


RotoMultiGauge

A certified high accuracy, battery powered digital gauge, that measures one or multiple parameters (pressure & temperature)

Parameters Measured:



FEATURES

- Certified for use in hazardous areas (ATEX/IECEx)
- Displays either Pressure or Temperature, or both
- For LPG applications, can calculate and display Density of the liquid
- Measures pressure from 0-1000bar with +/-0.5% accuracy
- Male 3/4" NPT connector as standard (other thread types available on request)
- Measures temperature from -55 °C to 125 °C +/- with 0.5°C accuracy
- Temperature probe is 8mm diameter stainless steel sheath
- Calculates density to within +/- 0.5°C
- Device can be Mains Powered or Battery Powered (Battery life 1 year+)
- Seamlessly integrates with our in-house designed Portal via RotoHub (telemetry device) to allow remote monitoring/analysis
- LCD Display
- 100mm / 4" diameter 304 stainless steel case and bezel

BENEFITS

- 3 in 1 – pressure, temperature and density in one digital instrument used on your storage tank (density for LPG applications only)
- Can be used a single measurement device: pressure only, or temperature only
- Better control of your inventory
 - when integrated with our RotoLevel LT device can calculate mass of the liquid within 0.5% accuracy. Transfers all information through to our telemetry device (RotoHub) to provide real-time analysis of your tank via our secure online portal
 - remote support (quick resolution without site visit needed)

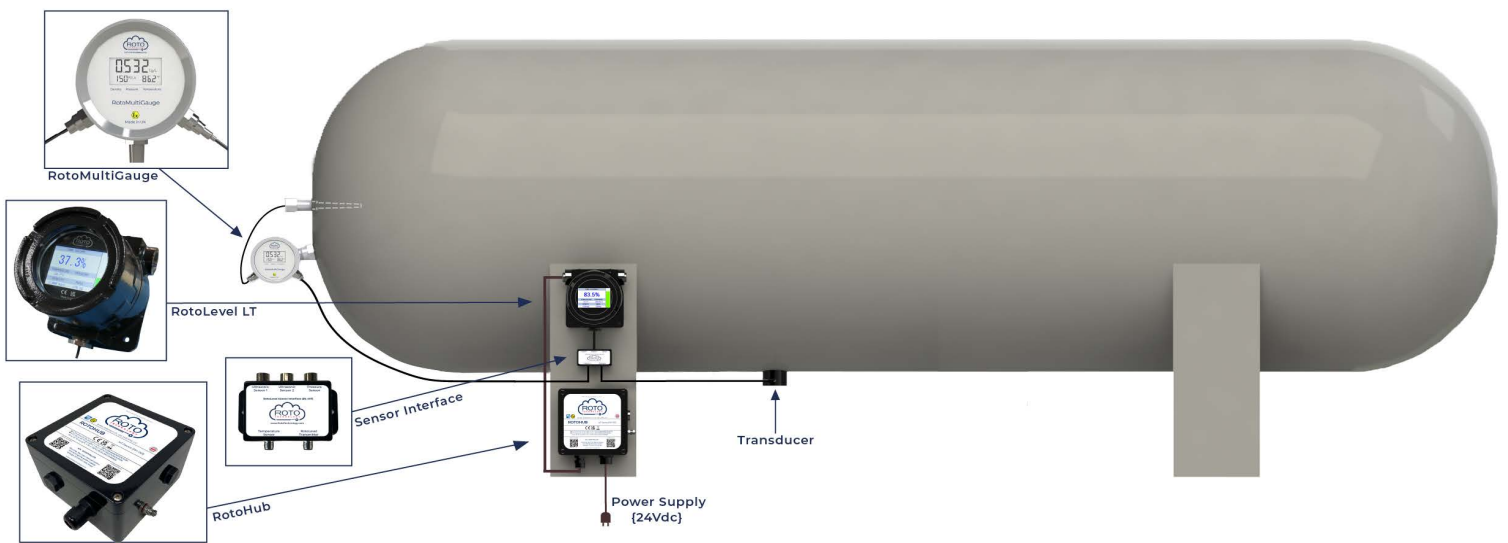
RotoMultiGauge

TECHNOLOGY

The RotoMultiGauge uses the latest technology to provide a highly accurate and reliable pressure/temperature measurement.

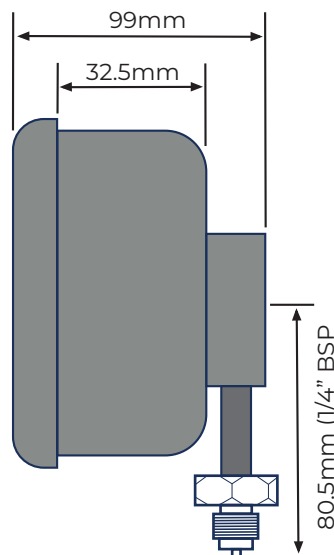
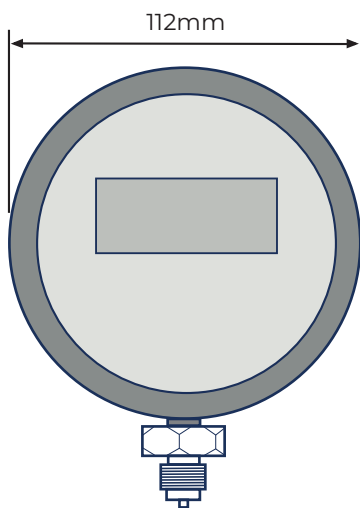
Pressure Technology:- A high quality pressure transducer combined with additional in-house calibrations/compensation.

Temperature Technology:- The probe uses a DS18B20 digital thermometer providing 12 bit Celcius/Farenheit temperature measurements with non volatile user programmable upper and lower trigger points. It communicates over a 1-Wire bus that by definition only requires one data line for communication with the central microprocessor.

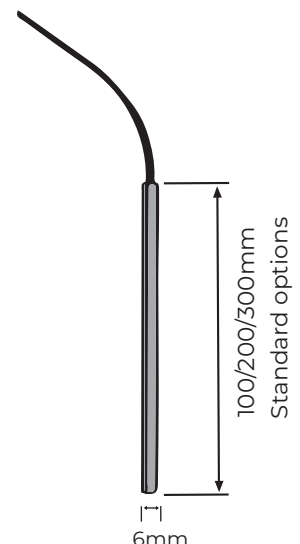


The RotoMultiGauge also forms part of an innovative high technology solution for controlling the inventory of a storage tank. When integrated with our ultrasonic level measurement device (RotoLevel LT) and telemetry device (RotoHub), the user is able to manage and control their tank inventory via our secure online DataPortal. More details on Page 6.

MULTIGAUGE DIMENSIONS



PROBE DIMENSIONS





RotoMultiGauge

PRESSURE RANGES

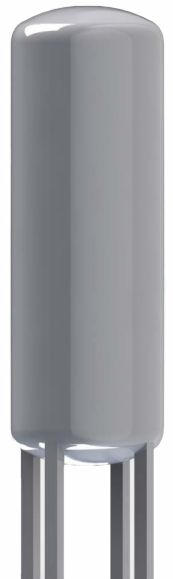
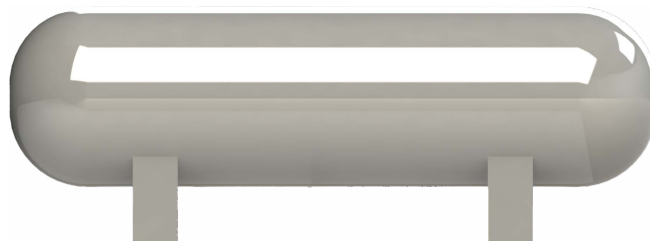
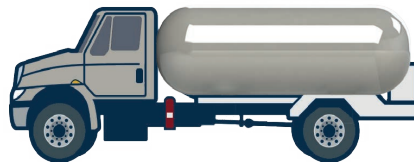
| Bar Range | Resolution | PSI Range | Resolution | Accuracy* |
|-----------|------------|------------|------------|-----------|
| 0 to 1 | 1 mbar | 0 to 15 | 0.01 PSI | 0.5% |
| 0 to 2 | 1 mbar | 0 to 30 | 0.01 PSI | 0.5% |
| 0 to 3 | 1 mbar | 0 to 45 | 0.01 PSI | 0.5% |
| 0 to 5 | 1 mbar | 0 to 75 | 0.01 PSI | 0.5% |
| 0 to 10 | 10 mbar | 0 to 150 | 0.1 PSI | 0.5% |
| 0 to 30 | 10 mbar | 0 to 450 | 0.1 PSI | 0.5% |
| 0 to 70 | 10 mbar | 0 to 1000 | 1 PSI | 0.5% |
| 0 to 100 | 100 mbar | 0 to 1500 | 1 PSI | 0.5% |
| 0 to 200 | 100 mbar | 0 to 3000 | 1 PSI | 0.5% |
| 0 to 400 | 100 mbar | 0 to 6000 | 1 PSI | 0.5% |
| 0 to 1000 | 1 bar | 0 to 15000 | 10 PSI | 0.5% |

TEMPERATURE RANGES

| Range | Accuracy |
|-----------------------------------|----------------------------|
| -55°C to 125°C or -65°F to +150°F | +/- 0.5°C (-10°C to +85°C) |

APPLICATION AREA

- Industrial Pipes
- Pressurised Tanks;
 - Truck/Bobtail
 - Vertical Tank
 - Horizontal Tank
- Non-Pressurised Tanks





RotoMultiGauge

TECHNICAL SPECIFICATION

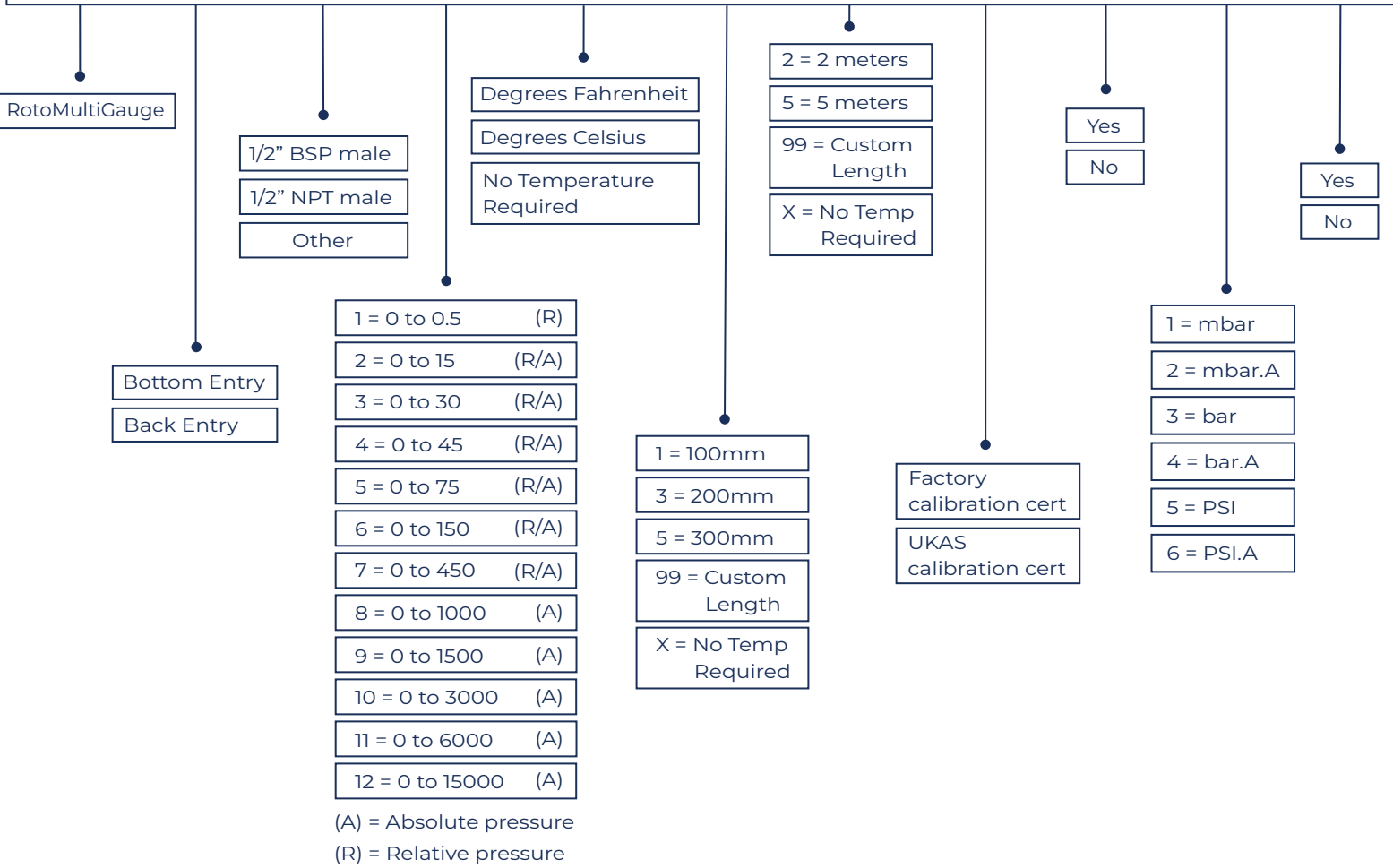
| | |
|--|--|
| Nominal Size Case: | 100mm/4" - 304 Stainless Steel |
| Classification: | Exia IIC T4 Ga (-20°C to 60°C) |
| Pressure Ranges: | 0 - 1000 bar |
| Resolution: | See table - page 3 |
| Overpressure: | See table - page 3 |
| Pressure accuracy at room temperature: | 0.5% FS |
| Temperature range: | -55 to 125°C |
| Temperature accuracy: | 0.5°C |
| Battery life: | 1 year continuous operation (when connected to RotoLevel device, this device will be mains powered) |
| Pressure connection: | ¼" NPT male (other thread types available upon request) |
| Protection Rating: | IP65 |
| Mounting: | Direct Mount, Surface Mount, Panel Mount (bottom & back entry) |
| Stem: | Capillary Stem |
| Power Source: | Battery and/or Mains Power |
| Longterm Stability: | Annual recalibration recommended |



RotoMultiGauge

ORDERING CODE

| Model | Mounting | Connection | Pressure Range | Temperature Units | Temp Probe Length | Temp Probe Wire Length | Calibration | Connected to RotoLevel | Pressure Units | Display Density (LPG Only) |
|-------|----------|------------|----------------|-------------------|-------------------|------------------------|-------------|------------------------|----------------|----------------------------|
| RMG | BT | B | 1-12 | °F | 1-5 | 1-5 | 1 | Y | 1-6 | Y |
| | BA | N | | °C | 99 | 99 | 2 | N | | N |
| | | X | | X | X | X | | | | |



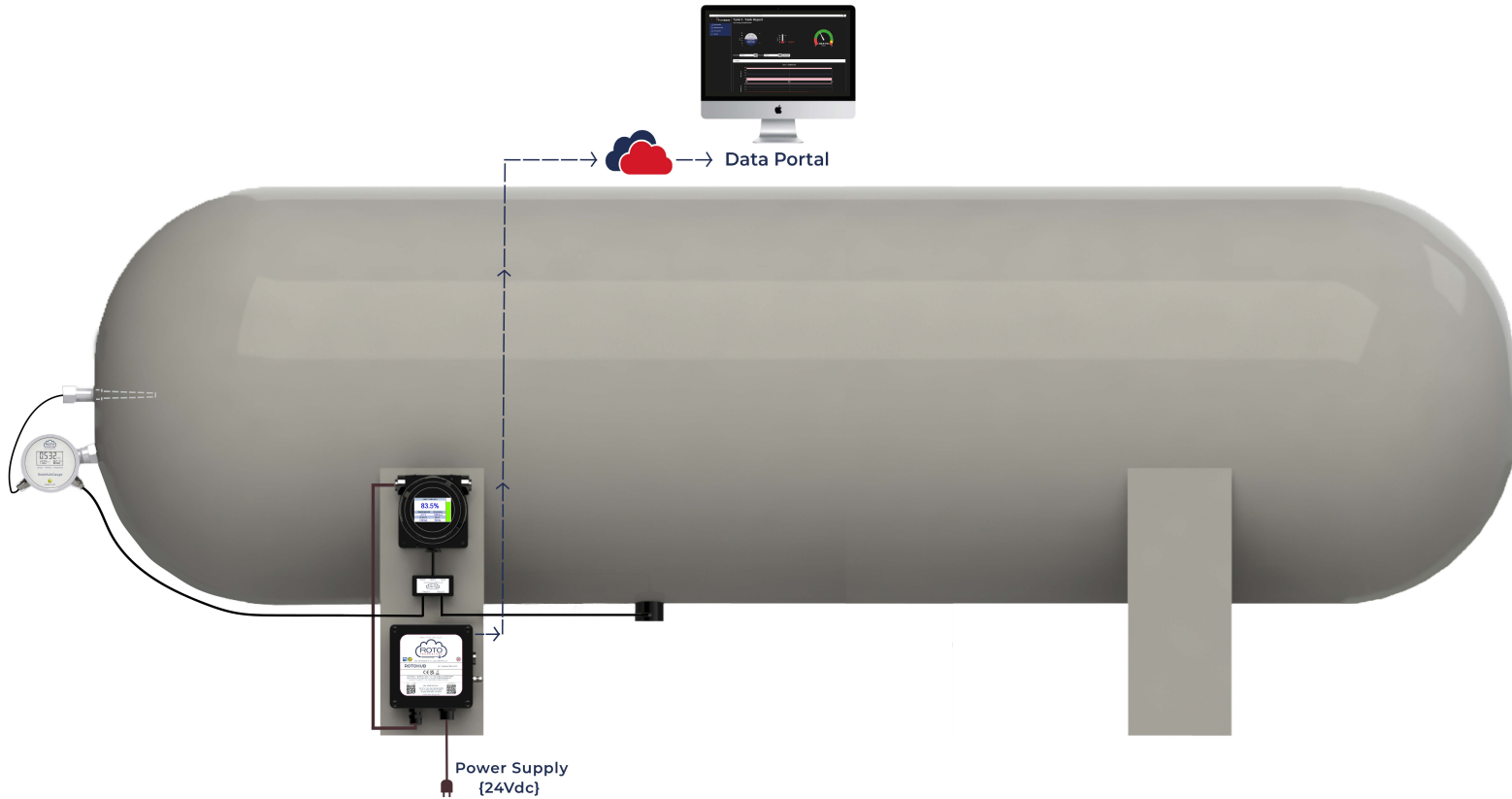
MODEL CODE

Use the form below to record your model code:

| Model | Mounting | Connection | Pressure Range | Temperature Units | Temp Probe Length | Temp Probe Wire Length | Calibration | Connected to RotoLevel | Pressure Units | Display Density (LPG Only) |
|-------|----------|------------|----------------|-------------------|-------------------|------------------------|-------------|------------------------|----------------|----------------------------|
| RMG | | | | | | | | | | |

RotoMultiGauge

ONLINE DATA PORTAL & INVENTORY CONTROL



To enable full inventory control of your storage tank, The **RotoMultiGauge** can be seamlessly connected with our certified **RotoLevel LT** device (non-invasive ultrasonic level measurement) and our certified **RotoHub** (telemetry device), allowing data to be analysed and managed through our secure **Online Data Portal** from any smart phone, tablet or computer.

Connecting these devices allows for the following;

1. Remote Support

Our engineers are able to view the system 24/7 to resolve issues and/or provide automatic software or firmware updates.

2. Data Analytics

Our easy to use, secure online portal allows the user to monitor and control their tank parameters (level, pressure, temperature, density, mass). Data is transmitted every 15 minutes ensuring real-time monitoring of your tank. The portal has ability to view historical data and set up various alarms for managing min/max limits.

3. Full Inventory Control

The system provides level, density and mass analysis in real-time to within 0.5% accuracy to ensure you control your inventory in the best possible way with minimal waste or losses.

RotoMultiGauge

SENSOR INTERFACE

Sensor Interface Device - when a reference sensor and/or pressure sensor is required

For applications where the liquid changes, such as brewery and distillation applications, this will require a reference ultrasonic sensor fitted to the side of the tank. In this instance, our Sensor Interface Device (RL-017) will be required.

For applications where pressure is also required to be measured, such as in LPG, our Digital Pressure Gauge will integrate seamlessly with the RotoLevel LT. In this instance, our Sensor Interface Device (RL-017) will also be required.

The interface device allows for up to two ultrasonic sensors, one pressure sensor and one temperature sensor to be integrated and routed through the RotoLevel LT device. This data is then routed to our Roto-Hub device and transmitted via 3G/4G to our Data Portal.

